



1. Ehouse LAN Home Automation system - Ethernet RoomManager (ERM)

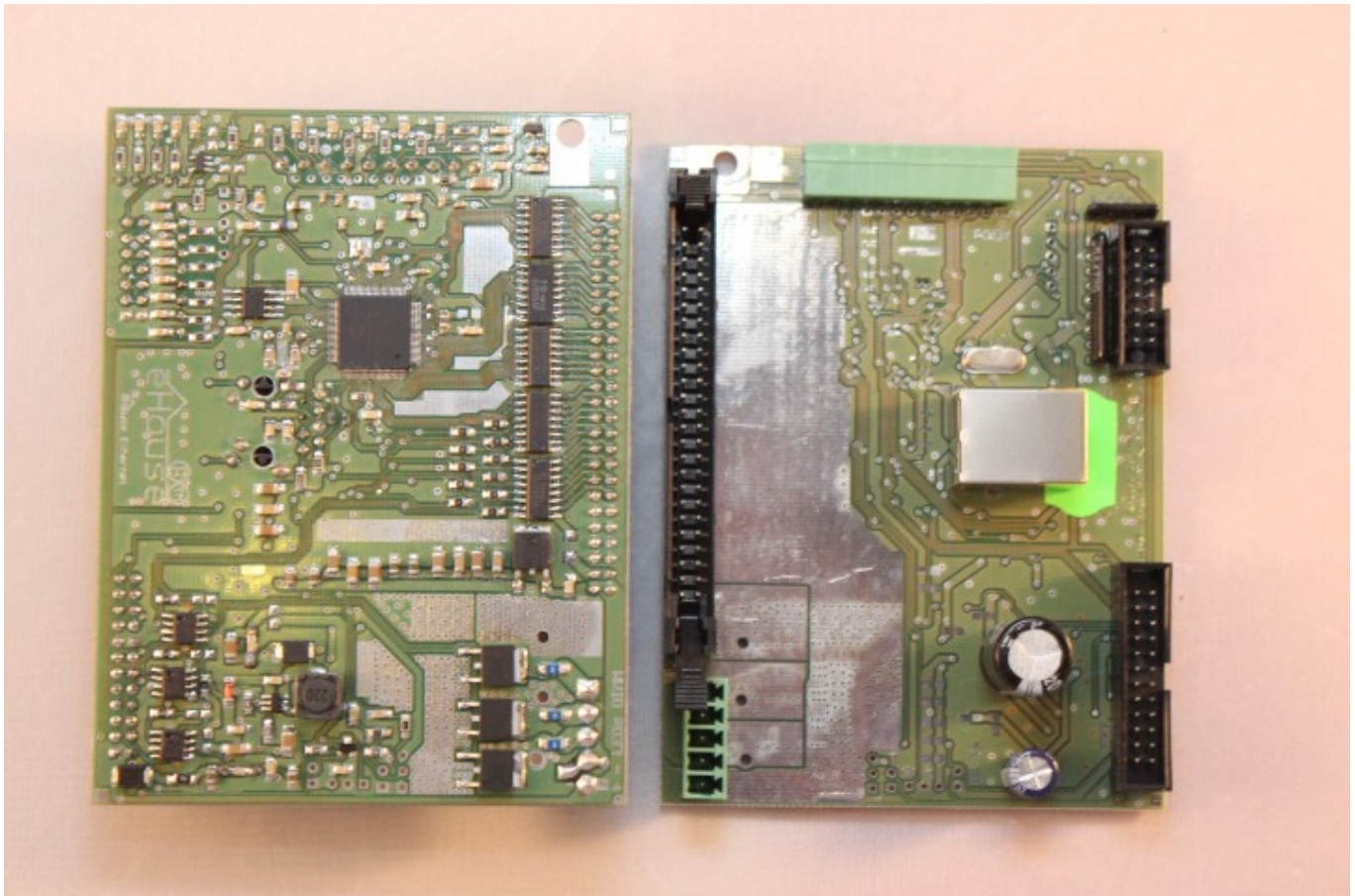
EthernetRoomManager is decentralized medium range low voltage smart home controller (separated from Mains for safety and DIY solutions) dedicated for control and management of whole rooms in following applications:

- ✓ home automation, smart home
- ✓ building, office, hotel management
- ✓ intelligent building integration

Main functions of EthernetRoomManager (ERM)

- ✓ 32 programmable digital outputs (on/off) with relays drivers
- ✓ 12 programmable digital inputs (on/off) for connecting sensors, switches, etc.
- ✓ 8 programmable ADC inputs with individually programmed levels (min,max)
- ✓ 3 PWM 12VDC/3A Dimmers with or without optoisolator for LEDs / LED RGB (optional)
- ✓ switching power supply for battery operation (optional)
- ✓ IR receiver compatible with Sony (SIRC) system for direct control of ERM by remote controllers
- ✓ IR transmitter for remote control of external Audio, Video, HiFi equipment
- ✓ 128 programmable clock and scheduler items for running eHouse events
- ✓ 12 ADC measurement/regulation programs
- ✓ 24 Output/Dimmer Programs/Scenes
- ✓ 250 programmed IR remote control codes for external A/V equipment
- ✓ 250 programmed IR control codes for ERM
- ✓ SPI Interface for extension of systems (optional)
- ✓ I2C Interface for extension of systems (optional)
- ✓ RS232-TTL interface for installation extension modules to the controllers (optional)
- ✓ up to 250 ERM can be installed in eHouse LAN System

1.1. ERM Standard Rev. 2,3,4 (Stand-alone) - ERM-4



Picture for information only Not for Reference may be changed during production and development.

Pictures are not in 1:1 scale.

Dimensions: 114*86*35mm and may be changed during production and development

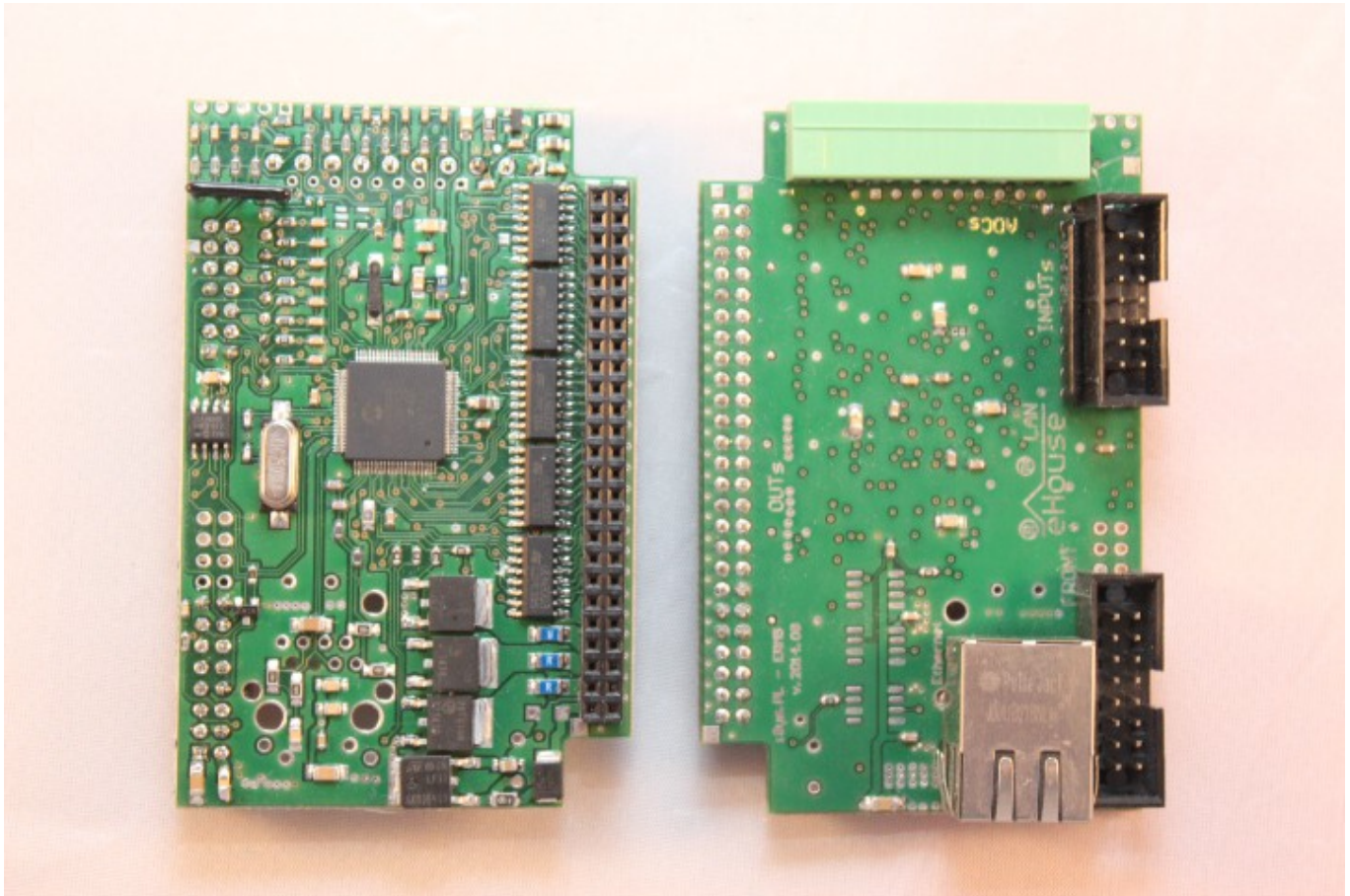
- ✓ Modules can be painted with insulation materials on demand
- ✓ Modules may be RoHS or not on demand
- ✓ Installable Product RoHS not required for CE



Smart Home, Building, Hotel, Office Automation

✓ Complying with CE norms for (EMI)

1.1.1 eHouse LAN Smart Home ERM Mini (ERM-MINI Rev.5) for direct MP- 18 relay module connection



Differences from standard ERM version:

- ✓ No build-in switching power supply
- ✓ Other pins and gender of IDC-50 socket
- ✓ Smaller than Credit Card (86*55*30mm) - may be changed during production and development
- ✓ Modules may be RoHS or not on demand
- ✓ Installable Product RoHS not required
- ✓ Complying with CE norms for (EMI)



1.2. "eHouse" Software Package

eHouse4Ethernet system is also equipped in auxiliary software for many operating systems including configuration, management, control, visualization, graphical control, web browser support, integration to other systems interfaces

1.2.1 eHouse4Ethernet Windows package

- ✓ monitoring devices state
- ✓ allows easy, intuitive, secure configuration, naming of whole eHouse system from PC
- ✓ eHouse system event editing and creating
- ✓ scheduler editing and programming
- ✓ generating images for visualization purposes
- ✓ creating eHouse system logs
- ✓ decoding IR remote controller signals
- ✓ updating new firmware and configuration to all controllers

1.2.2 Linux software package eHouse4cServer (eHouse.PRO) binary

eHouse4cServer assures supervision and integration of all versions of eHouse system.

Currently supported Linux versions:

- ✓ RaspberryPi, RaspberryPi 2, Banana PRO or other based on ARM11
- ✓ x64
- ✓ x86
- ✓ Other Linux boxes may be developed depending on availability on the market

Main Functions (in reference to eHouse4Ethernet):

- ✓ Web Browser integration
- ✓ Apache Web Server integration (TCP Server)
- ✓ TCP Clients for eHouse4Ethernet connection for integration
- ✓ TCP Servers for panels connection
- ✓ UDP listener for eHouse4Ethernet status reception
- ✓ eHouse1 support for integration
- ✓ eHouse.PRO support for integration
- ✓ eHouse4CAN support for integration
- ✓ Implements SMS hardware gateway support for SMS reception and



Smart Home, Building, Hotel, Office Automation

transmission

- ✓ HTML requests support to control other systems, applications, programs
- ✓ Update configuration of eHouse4CAN controllers
- ✓ Generate automatic visualization of each eHouse controller
- ✓ TCP server for integration to other systems
- ✓ Supports Onkyo Audio-Video systems via Ethernet
- ✓ Supports Denon, Marantz Audio-Video systems via Ethernet
- ✓ Process IR control signals received from any controllers

eHouse4cServer are under constant development and functionality may change without notice

1.2.3 eHouse4Apache Module

- ✓ Enables integration eHouse4cServer with Apache WWW server
- ✓ transfer data between web browser and eHouse4cServer
- ✓ transmit events, commands, configuration
- ✓ send statuses to web browser

1.2.4 Android (Java) - Control Panel Software since 4.0.0 (eHouse4Android)

eHouse4Android application is supported by various hardware devices eg.

- ✓ Pods
- ✓ Pads
- ✓ SmartPhones
- ✓ SmartTV

Main functions:

- ✓ Text control
- ✓ Voice control (Speech recognition)
- ✓ graphical control
- ✓ Online status via TCP, UDP (Local Network)
- ✓ Graphical visualization individually designed
- ✓ Graphical visualization automatic for each eHouse Controller
- ✓ Control via WiFi, Ethernet, LAN, Internet, SMS, eMail
- ✓ Online status via WiFi, Ethernet, LAN, Internet
- ✓ Supports eHouse 1, eHouse LAN, eHouse.PRO versions



Smart Home, Building, Hotel, Office Automation

1.2.5 Java - PC Control Panel Software (eHouse4Java)

- ✓ Linux
- ✓ Windows
- ✓ other Java enabled system

Main functions:

- ✓ Text control
- ✓ Graphical control
- ✓ Online status TCP, UDP (Local Network)
- ✓ Graphical visualization individually designed
- ✓ Automatic graphical visualization for each eHouse Controller
- ✓ Control via WiFi, Ethernet, LAN, Internet, eMail
- ✓ Online status via WiFi, Ethernet, LAN, Internet
- ✓ TCP server for connecting external panels
- ✓ TCP server for OpenRemote support
- ✓ Supports eHouse 1, eHouse LAN, eHouse.PRO versions

1.2.6 Windows Mobile 6.x+ .Net, .Net Compact Framework - Control Panel for devices (Mature)

- ✓ Pods
- ✓ Pads
- ✓ SmartPhones

Main functions:

- ✓ Text control
- ✓ Graphical control
- ✓ Online status TCP, UDP (Local Network)
- ✓ Graphical visualization individually designed
- ✓ Automatic graphical visualization for each eHouse Controller
- ✓ Control eHouse system via WiFi, Ethernet, LAN, Internet, SMS, eMail
- ✓ Online status via WiFi, Ethernet, LAN, Internet
- ✓ Supports eHouse 1, eHouse LAN versions



1.2.7 JavaScript script - for Web browser client side support

- ✓ online status reception via JSON, data update
- ✓ online text control
- ✓ online graphical control
- ✓ online graphical visualization
- ✓ sending control commands (events) to eHouse system
- ✓ supports eHouse 1, eHouse LAN, eHouse.PRO versions
- ✓ supports SVG (Scalable Vector Graphics), XML

1.2.8 CorelDraw VBA script - for creating visualizations for all control panels

- ✓ WebBrowser: HTML, SVG, XML
- ✓ Custom programmed formats (text)
- ✓ Windows XP, Vista, 7, 8 - PC, Pods, Pads
- ✓ Windows Mobile .Net, .Net Compact Framework - Pods, Pads, Smartphones
- ✓ Java - visualization and graphical control for PCs Java enabled platforms
- ✓ Android - visualization and graphical control for SmartPhones, Pods, Pads, SmartTV
- ✓ supports eHouse 1, eHouse LAN, eHouse.PRO versions
- ✓ supports templates



1.3. Programming libraries and code sources for development

For eHouse system developers and members of eHouse Alliance we offer programming libraries and scripts for most of operating systems:

- ✓ Windows XP, Vista, 7, 8, .Net
- ✓ Windows Mobile 6.x,7,8 .Net Compact Framework
- ✓ Linux x86, x64, ARM, RaspberryPi
- ✓ Java enabled platforms and operating systems
- ✓ Java Mobile for PDAs, Palmtops, Smartphones
- ✓ Web Server (Apache) modules
- ✓ Web Browser Integration scripts
- ✓ OpenRemote.Org integration
- ✓ Android

Libraries and scripts are in most important programming languages:

- ✓ Delphi, Pascal
- ✓ C,C++
- ✓ C#, .Net, .Net Compact Framework
- ✓ Java, Java Mobile (MIDP)
- ✓ Android (Java)
- ✓ VBA – Visual Basic
- ✓ PHP
- ✓ SVG, XML
- ✓ HTML
- ✓ JavaScript

Libraries are individually distributed base on license agreement and fees.



2. Appendix

2.1. Additional features of eHouse LAN system

- ✓ Support of PC computer together with eHouse software package for configuration, visualization, graphical control, communication gateways, continuous system state monitoring and logging
- ✓ Possibility of individual (end user - "Do It Yourself") and complete design (companies solutions based on eHouse controllers), configuration and installation
- ✓ Usage common electric switches, sensors, executive devices (without dedicated devices with build-in logic) for lowest costs
- ✓ Possibility to upgrade firmware of eHouse controllers from PC in working installation
- ✓ Possibility to implement individual / dedicated firmware for Vendors and third party cooperatives
- ✓ Possibility of individual programming (under PC computer, PC boards, Mobile Panels, Pads, Smartphones) and implementing own and dedicated control algorithms
- ✓ Possibility of creating individual images for visualization and graphical control for multiple methods in CorelDraw
- ✓ Many installations variants (low budget, comfort, economic, maximal, VIP / dedicated, centralized, decentralized, with / without PC supervision)
- ✓ eHouse Controllers are large/medium range low voltage (12V/ ~0.1A), low power electronic controllers for cost efficiency. This enables self installation (DIY), servicing and do not require local regulatory approvals, certification, conformance etc. eHouse requires external Relays or drivers to control external 230V devices.
- ✓ eHouse controllers are sold as electronic modules (without covers), thus it do not impose final equipment or arrangement of building
- ✓ For common applications external low costs relays modules containing (relays 230V/10A) can be used. For inductive, high power, three phase device - special relays are necessary.
- ✓ eHouse system contains binary software Windows XP+, Linux, Android, Windows Mobile (*), Java Platforms, WWW Web Browser, Apache support
- ✓ eHouse software library, templates for vendors development based on license agreement (Delphi Pascal, C, C++, C#, .Net, .Net Compact Framework, Java,



Smart Home, Building, Hotel, Office Automation

Java Mobile, HTML, SVG, XML, JavaScript, PHP, Visual Basic Script, Apache module).

✓ Free eHouse open-source libraries for system integration, implementing individual algorithms (Delphi Pascal, C, C++, C#, .Net, .Net Compact Framework, Java, Java Mobile, HTML, SVG, XML, JavaScript, PHP, Visual Basic Script)

2.2. Management of eHouse system

eHouse Home Automation System can be manage and controlled from:

- ✓ Web Browser WWW
- ✓ PC Computer, Pads, Pods, Touch screen panels - eHouse software package (Windows XP, Vista, 7, 8, Linux, Java)
- ✓ Practically Any Mobile phone, PDA, Smart Phone, Touch Phone, Pod, Pad, Smart TV thanks to software package: Android 4+ (Java), Windows Mobile 6.x+ (*), Java Mobile MIDP (*) - No dedicated panels necessary
- ✓ IR Remote Controller - supported SONY standard protocol (SIRC) (using common SONY remote controller, universal, smart IR panel eg. Logitech, Philips, etc)
- ✓ Advanced scheduler, calendar
- ✓ Common electric switches
- ✓ Touch sensors

(*) Mature solutions available for vendors for development

2.3. Systems and devices controlled by eHouse

eHouse system can control and integrate a lot of external devices and systems:

- ✓ internal and external lights (any voltage AC / DC, LEDs, RGB, PWM dimmers for 12VDC lights)
- ✓ temperature measurement, regulation, management in rooms
- ✓ individual, central, floor, convector or ventilation heating
- ✓ pumps, motors, ventilators, executive devices, cut-off
- ✓ any electric and electronic devices (on / off)
- ✓ HiFi, Audio, Video systems via remote controller signal learn and send
- ✓ VideoLAN application from IR remote controller and eHouse system
- ✓ rollers, shade awnings, gates, gateways, drives, servo-motors
- ✓ integrated security system with SMS notification managed outside controlled



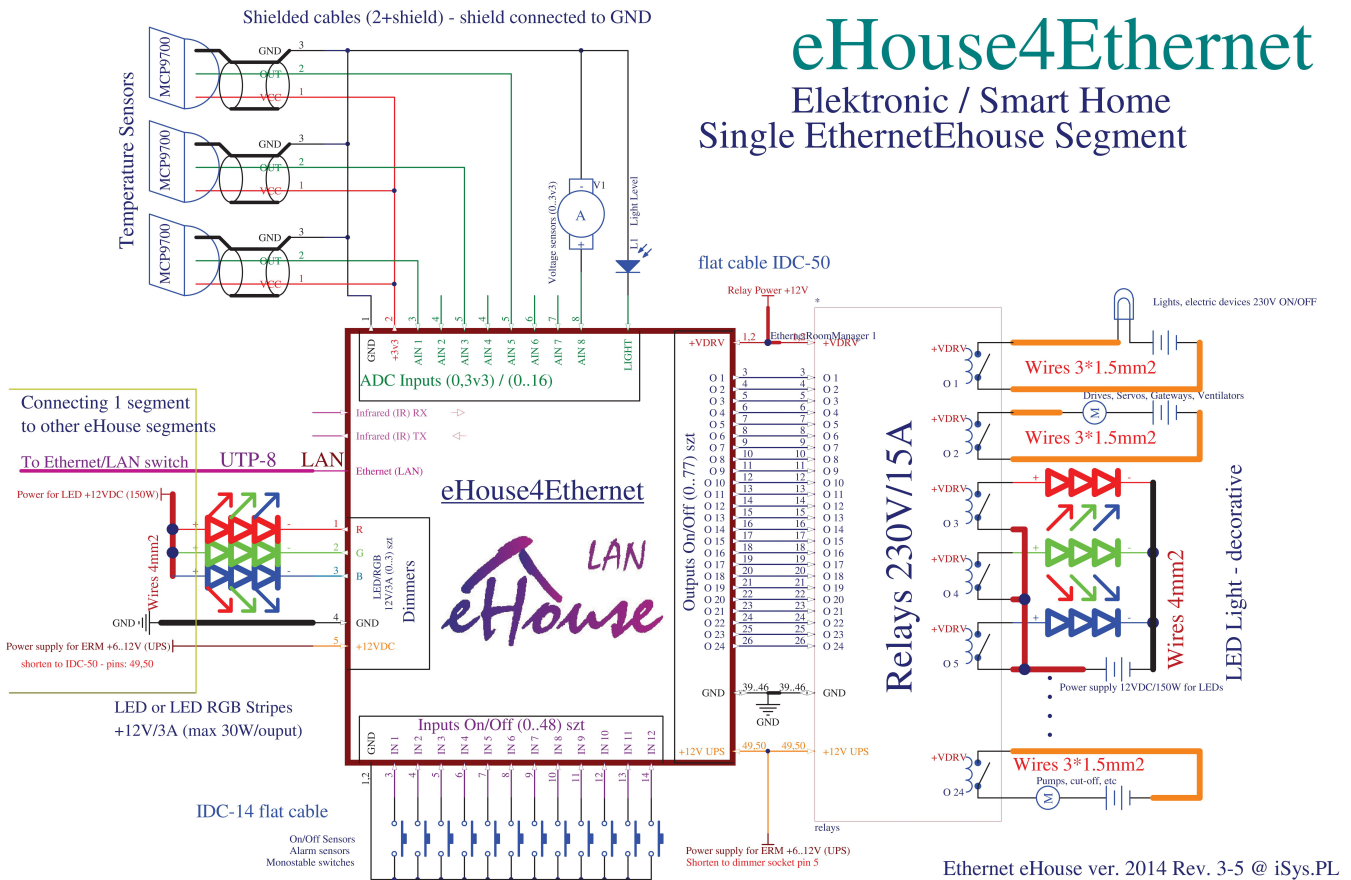
Smart Home, Building, Hotel, Office Automation

zone

✓ Control external Devices, Systems, Applications, Programs by HTML Requests

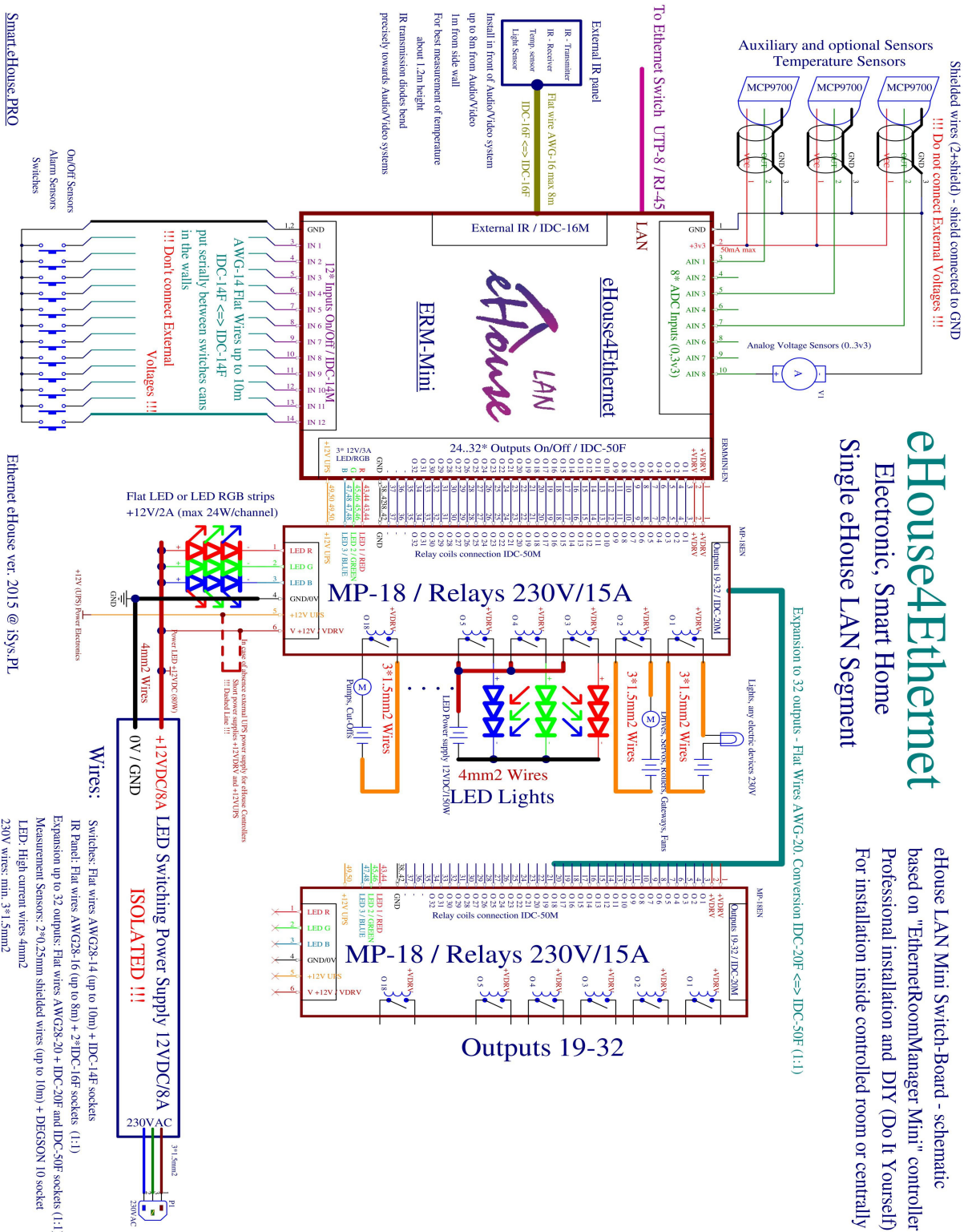
2.4. EthernetRoomManager ERM Installation Schematic Diagram

1) ERM Standard Rev. 2,3,4



eHouse4Ethernet Electronic, Smart Home Single eHouse LAN Segment

eHouse LAN Mini Switch-Board - schematic based on "EthernetRoomManager Mini" controller
Professional installation and DIY (Do It Yourself)
For installation inside controlled room or centrally



Smart.ehouse.PRO

Ethernet eHouse ver: 2015 @ iSys.PL



Smart Home, Building, Hotel, Office Automation

2.5. Screenshots

http://home-automation.isys.pl/all.eHouse_smart_home_visualization_galery.htm

http://www.isys.pl/all.inteligenty_dom_budynek_galeria_software.htm



3. Documentation / Do It Yourself – English Version

Most current documentation in English are located at producer home page:

http://home-automation.isys.pl/ehouse_doc.intelligent_house_building_doc.htm

Source code examples, templates, libraries: <http://isys.pl/download/>

Do It Yourself information: <http://smart.ehouse.pro/> - eHouse Blog

Details DIY, Programming, Designing, Instalation, Configuration, Articles, tips & tricks:

<http://smart.ehouse.pro/category/applications/> - eHouse applications

<http://smart.ehouse.pro/category/boilerroom/> - Boiler Room & Central Heating

<http://smart.ehouse.pro/category/building-management/> - Building Management General Info

<http://smart.ehouse.pro/category/design/> - eHouse Design, solutions, demos

<http://smart.ehouse.pro/category/ehouse4can/> - eHouse4CAN – Installation, Configuration

<http://smart.ehouse.pro/category/ehouse-lan/> - eHouse Ethernet – Installation, Configuration

<http://smart.ehouse.pro/category/ehouse-rs-485/> eHouse 1 – Installation, Configuration

<http://smart.ehouse.pro/category/ehouse-pro/> - eHouse.PRO – Installation, Configuration

<http://smart.ehouse.pro/category/renewableenergy/> - free and renewable energy usage

<http://smart.ehouse.pro/category/general/> - eHouse general info

<http://smart.ehouse.pro/category/integrationcontrol/> - Integration to other systems, devices, A/V

<http://smart.ehouse.pro/category/openremote/> - Integration with OpenRemote.ORG

<http://smart.ehouse.pro/category/os/linux/> - Linux programming for eHouse - „C”

<http://smart.ehouse.pro/category/os/windows/> - Windows programming

<http://smart.ehouse.pro/category/programming/android/> - Mobile Devices PADs, SmartPhone, SmartTV, Android programming, screenshots for eHouse

<http://smart.ehouse.pro/category/programming/apache/> - Apache integration to eHouse.PRO server

<http://smart.ehouse.pro/category/programming/csharp/> - C#, .Net, .Net CF programming

<http://smart.ehouse.pro/category/programming/c/> - C programming for Linux

<http://smart.ehouse.pro/category/programming/delphi/> - Delphi, Pascal programming for Windows



Smart Home, Building, Hotel, Office Automation

<http://smart.ehouse.pro/category/programming/java/> - Multiplatform Java programming, screenshots

<http://smart.ehouse.pro/category/programming/windows-phone/> - Windows Mobile, Phone programming

<http://smart.ehouse.pro/category/programming/www/> - Web browser support for eHouse

<http://smart.ehouse.pro/category/visualization/> - Creating individual visualization and graphical control views



Smart Home, Building, Hotel, Office Automation

4. Contact and Cooperation

iSys – Intelligent Systems

Wygoda 14, 05-480 Karczew

Poland

tel: +48504057165

email: is@isys.pl

GPS: (N:52 st 2min 44.3s; E:21st 15min 49.19s)

[Map](#)

Producer, manufacturer, developer home page in English:

<http://home-automation.isys.pl/> - Producer homepage

<http://smart.ehouse.pro/> - Do It Yourself, designing, development, examples, applications

<http://eHouse.Biz/> - eHouse smart home producer online shop

http://www.isys.pl/?home_automation - Other Languages (for information only not for reference)

Serwisy eHouse w języku polskim:

<http://inteligentny-dom.ehouse.pro/> Zrób to sam, programowanie, przykłady, projektowanie, zastosowania

<http://www.isys.pl/> - strona WWW producenta

<http://ehouse.net.pl/> - sklep internetowy producenta inteligentnego domu eHouse

<http://www.ehouse.pro/> - Automatyka domu, budynku, hoteli, pensjonatów

<http://sterowanie.biz/> - Sterowanie domem, budynkiem, mieszkaniem